

# SZSW2221/SZSW2220 LED Explosion-Proof Mini Headlight



SZSW2220



SZSW2221

## ■ Features

- It is suitable for on-site operation lighting, long-distance illumination, close-range floodlighting, personal inspection, overhaul, inspection, and various work for different careers, with work lighting and emergency lighting.

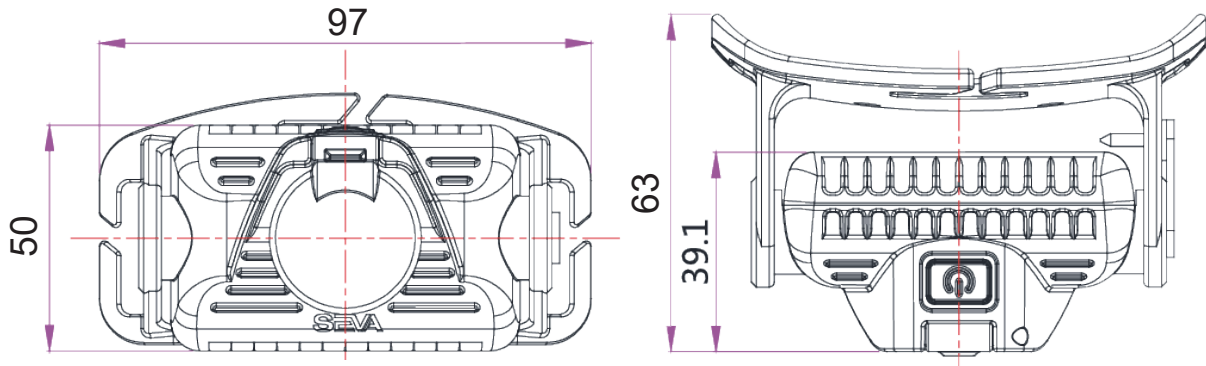
## ■ Technical Parameters



No	Table Of Basic Product Parameters			
1	Atex Standard	 II 2 G Ex ib op is IIC T4 Gb II 2 D Ex ib op is IIIC T130°C Db		
2	IECEX Standard	Ex ib op is IIC T4 Gb Ex ib op is IIIC T130°C Db		
3	Rated Voltage	5V		
4	Rated Capacity (mAh)	2200		
5	Product Number	SZSW2221,SZSW2220		
6	Duration	Working Light	Strong Light	Strobe
		0.5W(SZSW2220) 1W(SZSW2221)	1.5W(SZSW2220) 3W(SZSW2221)	0.7W(SZSW2220) 1W(SZSW2221)
		16H(SZSW2220) 8H(SZSW2221)	8H(SZSW2220) 4H(SZSW2221)	24H(SZSW2220), ≥20H(SZSW2221)
7	Color Temperature	6500K		
8	CRI	>80		
9	Beam Angle	9°/55°		
10	Charging Time	≤4H		
11	IP/IK Level	IP66/IK08		
12	Ambient Temperature	-20°C~45°C		
13	Enclosure Material	Die-casting Aluminum		
14	Cycle Life	~1000		
15	LED Package	Cree		
16	Driver	SEVA		
17	Product Size (mm)	L97*W63*H50mm		
18	Unit Weight	95g(SZSW2220)	115g(SZSW2221)	

# SZSW2221/SZSW2220 LED Explosion-Proof Mini Headlight

## Dimension (Unit:mm)



SZSW2220/SZSW2221

## Characteristics

